

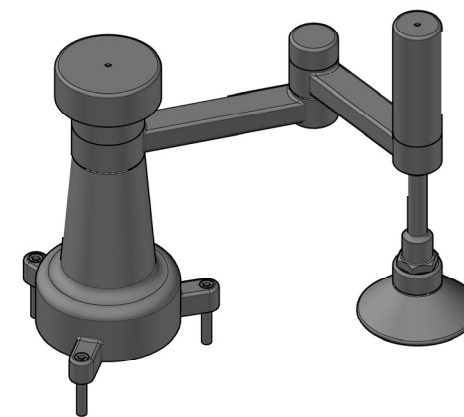
ROBOTIC ARM ASSEMBLY

GENERAL NOTES:

ALL FILLETS R.06 UNLESS OTHERWISE SPECIFIED

PARTS LIST

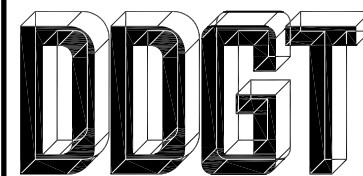
ITEM	QTY.	PART NAME	MATERIAL	DESCRIPTION
1	1	BASE	ALUMINUM	PAINT FINISH
2	1	ARM 1	ALUMINUM	PAINT FINISH
3	1	ARM 2	ALUMINUM	PAINT FINISH
4	1	SLIDING TUBE SHAFT	STAINLESS STEEL	
5	1	SLIDING TUBE PISTON	STAINLESS STEEL	
6	1	VACUUM CONNECTOR	STAINLESS STEEL	
7	1	VACUUM CUP	RUBBER	
8	1	BASE CAP	ALUMINUM	PAINT FINISH
9	1	ELBOW CAP	ALUMINUM	PAINT FINISH
10	1	VACUUM CAP	ALUMINUM	PAINT FINISH
11	3	CAP SCREW	STAINLESS STEEL	10-36UNS, 1.25 LONG
12	1	VACUUM TUBE	RUBBER	ID. $\frac{1}{16}$ OD. $\frac{1}{8}$ , 8in LONG



ROBOTIC ARM

LEGEND:

- ° DEGREES
- ∅ DIAMETER
- R RADIUS
- ∇ DEPTH
- ┌ COUNTERBORE

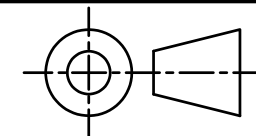


DIGITAL DESIGN  
GRAPHICS  
TECHNOLOGY

WWW.DDGT.NET



parkerlakeofficial@gmail.com  
707-337-7593  
www.ddgt.net/StudentPages/plake



TOLERANCES UNLESS SPECIFIED:  
DECIMAL INCHES:  
X = ±.020  
XX = ±.010  
XXX = ±.005  
FRACTIONAL ±1/64"  
ANGLES ±1 DEGREE  
SURFACES  $\frac{32}{\sqrt{\quad}}$

COURSE: DDGT 241

AUTOCAD DRAWING NAME:

ROBOTIC ARM

FIG #: 1058

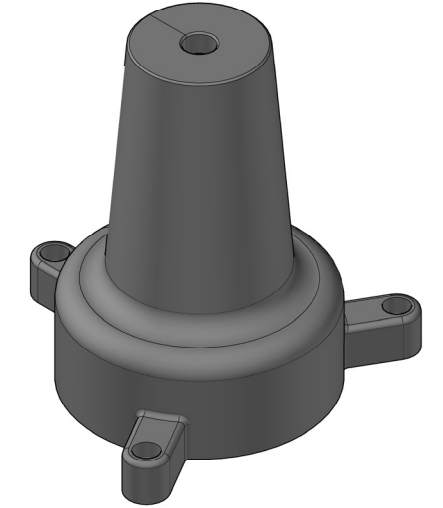
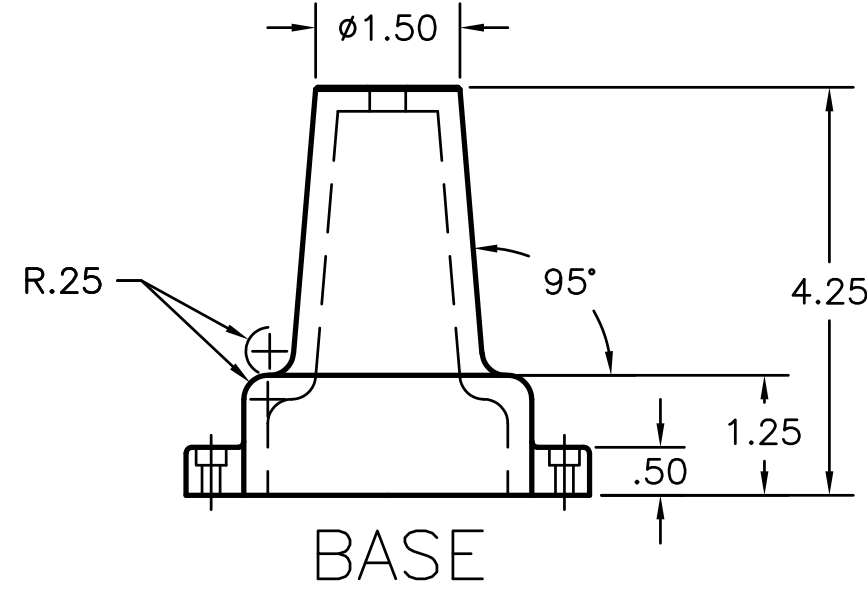
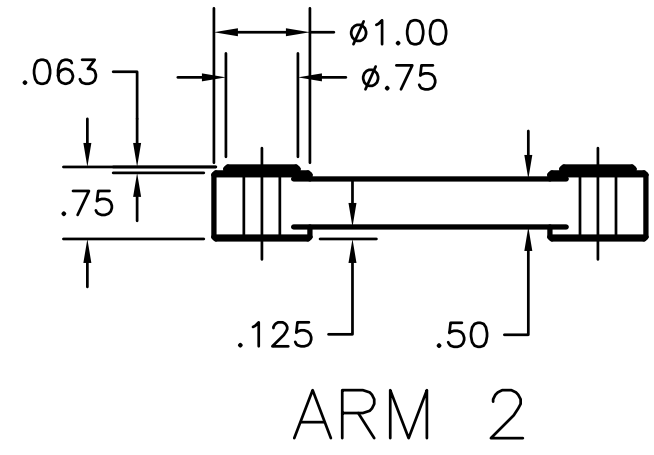
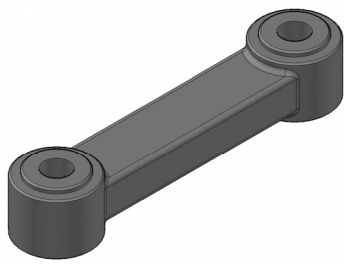
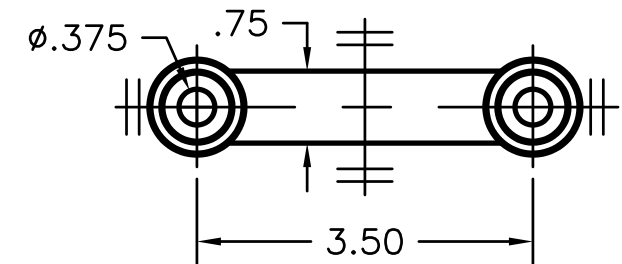
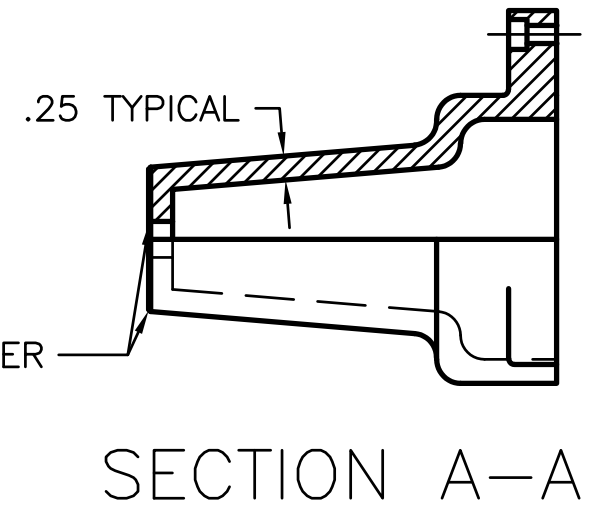
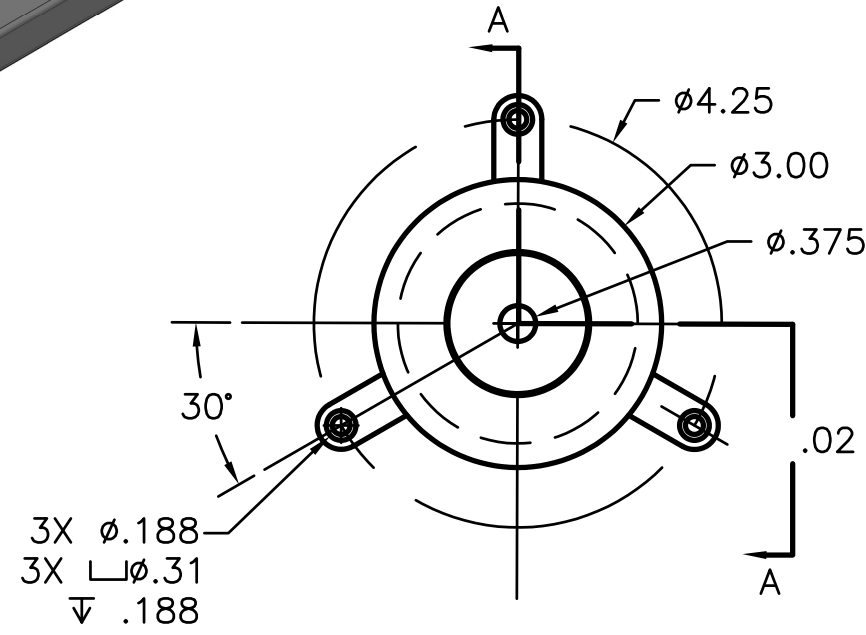
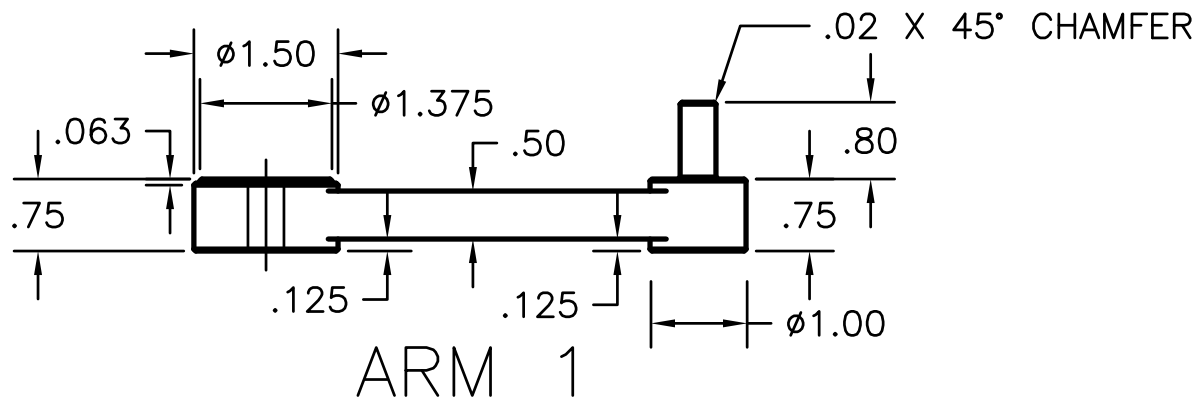
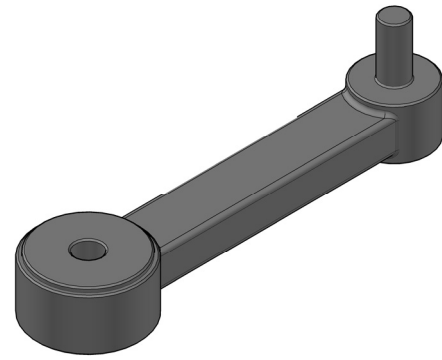
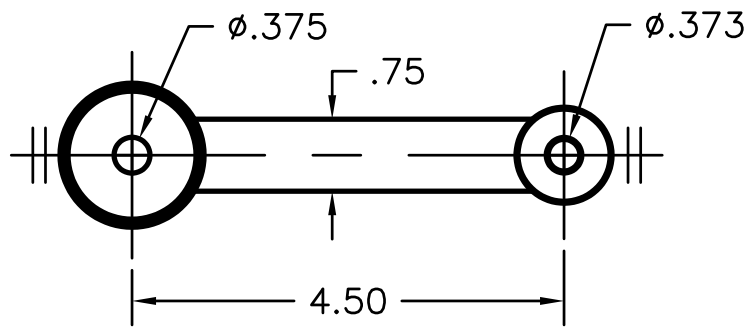
DRAFTER: P. LAKE

DATE: 1/16/2019

SCALE: 1:2

PAGE #: 1 OF 4

PARTS LIST		
ITEM	QTY.	PART NAME
1	1	BASE
2	1	ARM 1
3	1	ARM 2



**LEGEND:**  
 ° DEGREES  
 $\phi$  DIAMETER  
 R RADIUS  
 $\nabla$  DEPTH  
 $\sqsubset$  COUNTERBORE

**GENERAL NOTES:**  
 ALL FILLETS R.06 UNLESS OTHERWISE SPECIFIED

**DDGT**  
 DIGITAL DESIGN  
 GRAPHICS  
 TECHNOLOGY  
 WWW.DDGT.NET

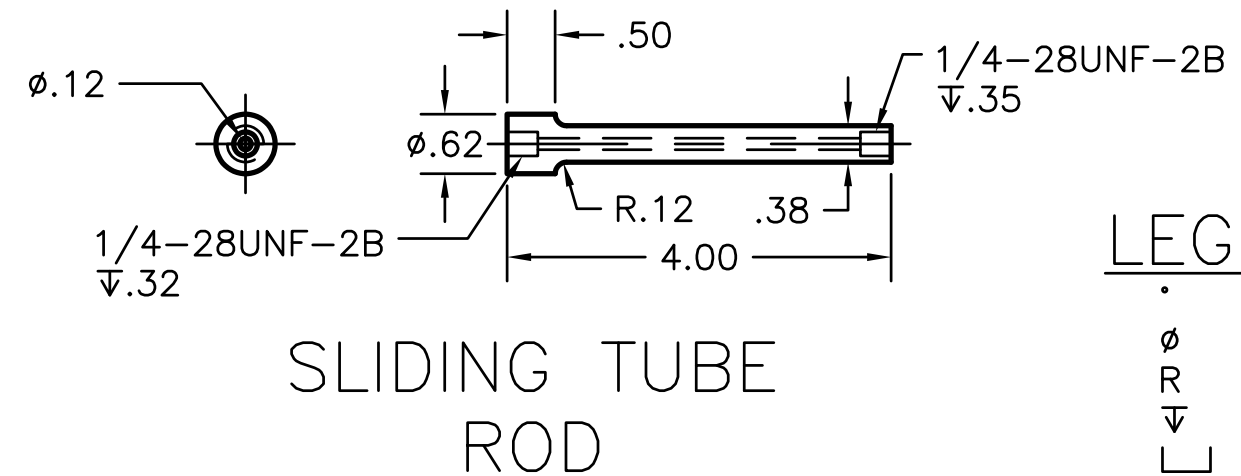
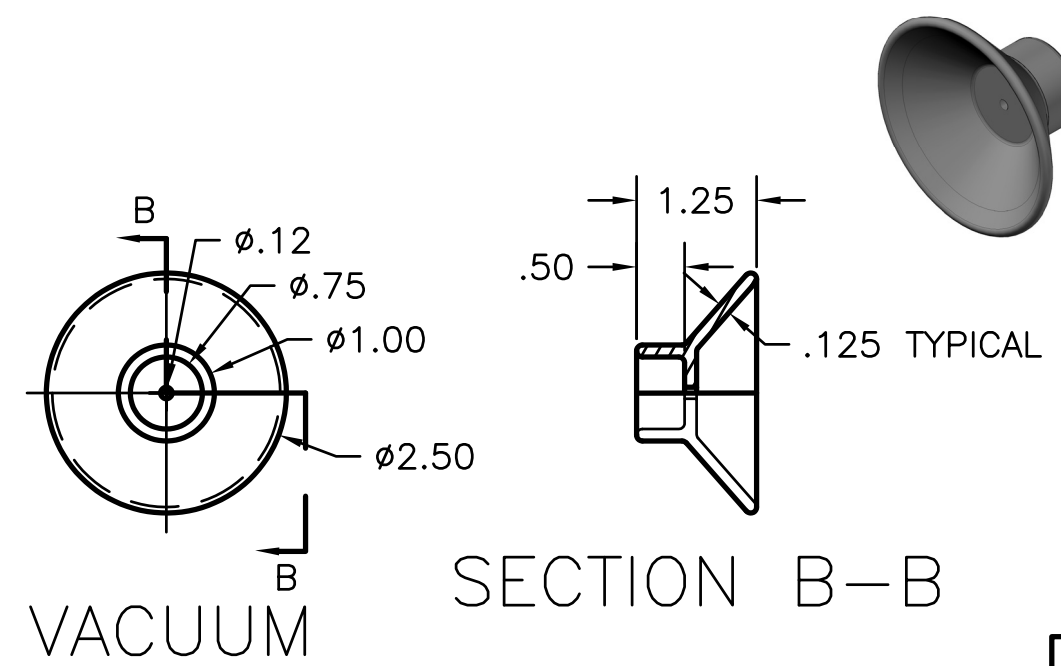
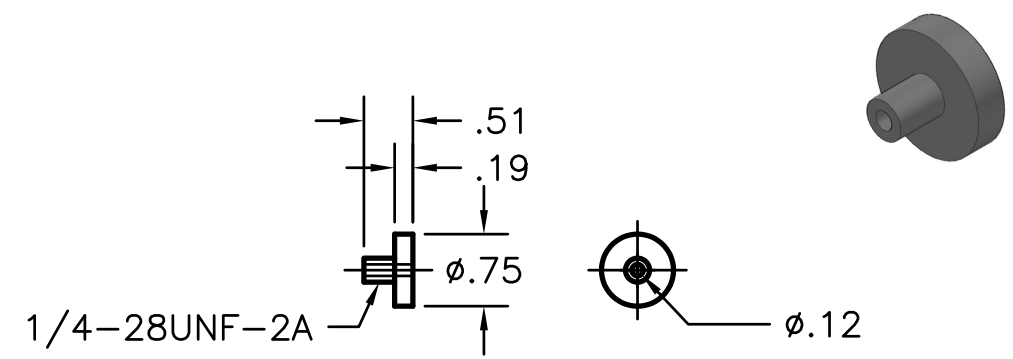
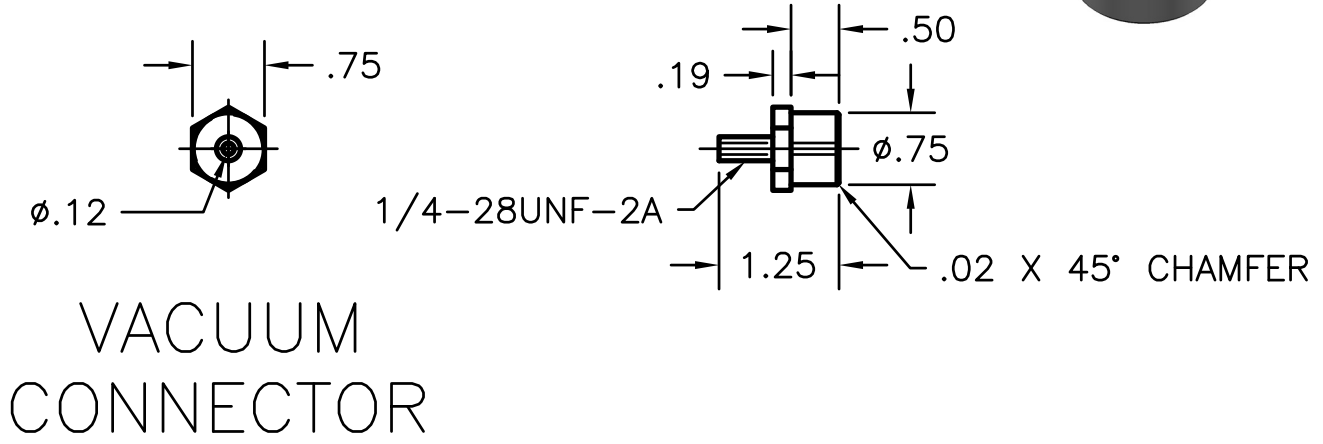
**PARKER LAKE**  
 DRAFTING AND ENGINEERING  
 parkerlakeofficial@gmail.com  
 707-337-7593  
 www.ddgt.net/StudentPages/plake

TOLERANCES UNLESS SPECIFIED:  
 DECIMAL INCHES:  
 X =  $\pm$ .020  
 XX =  $\pm$ .010  
 XXX =  $\pm$ .005  
 FRACTIONAL  $\pm$ 1/64"  
 ANGLES  $\pm$ 1 DEGREE  
 SURFACES  $\sqrt{32}$

COURSE:	DDGT 241
AUTOCAD DRAWING NAME:	ROBOTIC ARM
FIG #:	1058
DRAFTER:	P. LAKE
DATE:	1/16/2019
SCALE:	1:2
PAGE #:	2 OF 4

# PARTS LIST

ITEM	QTY.	PART NAME
4	1	SLIDING TUBE SHAFT
5	1	SLIDING TUBE PISTON
6	1	VACUUM CONNECTOR
7	1	VACUUM CUP



**LEGEND:**

- DEGREES
- ∅ DIAMETER
- R RADIUS
- ∇ DEPTH
- └ COUNTERBORE

**GENERAL NOTES:**  
ALL FILLETS R.06 UNLESS OTHERWISE SPECIFIED

**DDGT**  
DIGITAL DESIGN  
GRAPHICS  
TECHNOLOGY  
WWW.DDGT.NET

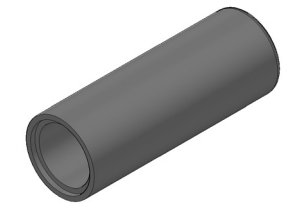
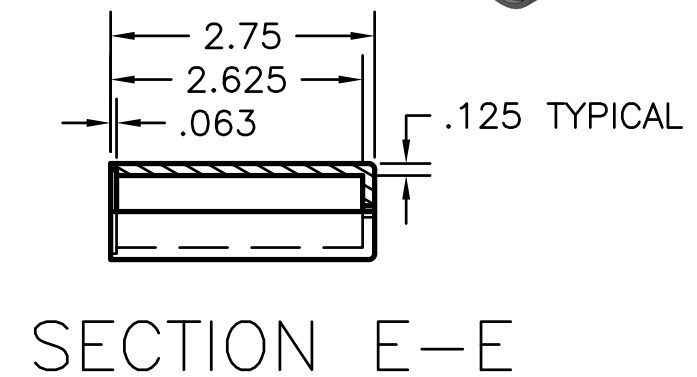
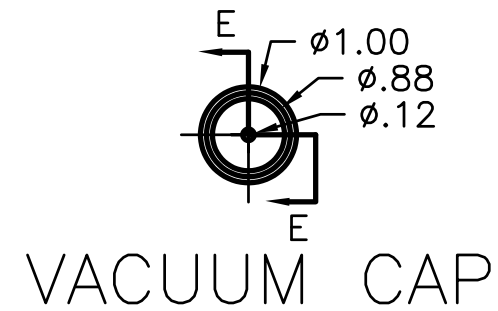
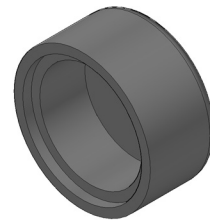
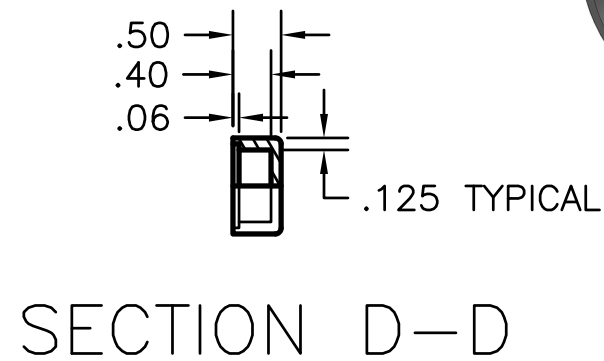
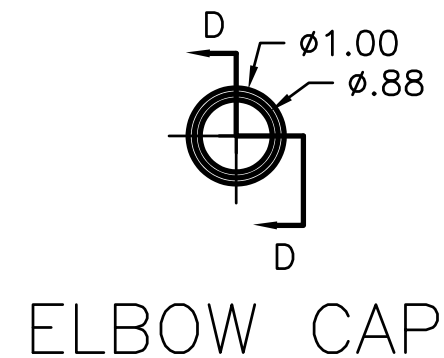
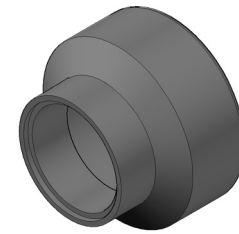
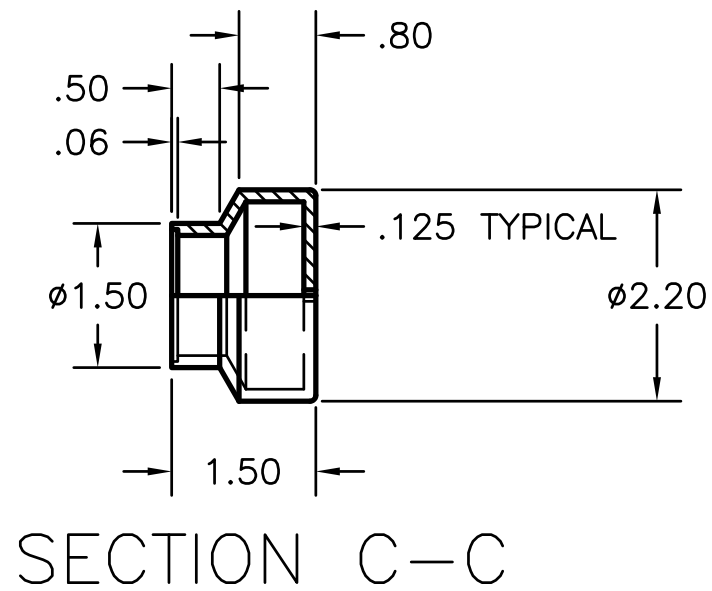
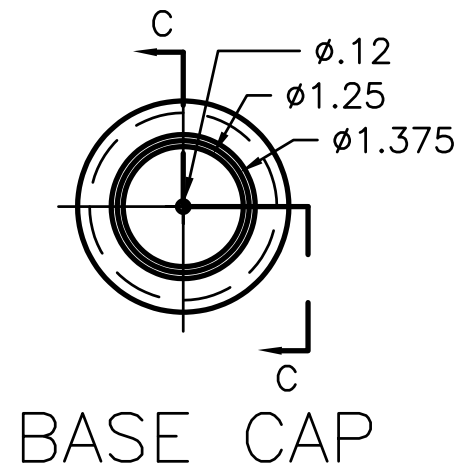
**PARKER LAKE**  
DRAFTING AND ENGINEERING  
parkerlakeofficial@gmail.com  
707-337-7593  
www.ddgt.net/StudentPages/plake

TOLERANCES UNLESS SPECIFIED:  
DECIMAL INCHES:  
X = ±.020  
XX = ±.010  
XXX = ±.005  
FRACTIONAL ±1/64"  
ANGLES ±1 DEGREE  
SURFACES 32/

COURSE:	DDGT 241
AUTOCAD DRAWING NAME:	ROBOTIC ARM
FIG #:	1058
DRAFTER:	P. LAKE
DATE:	1/16/2019
SCALE:	1:2
PAGE #:	3 OF 4

# PARTS LIST

ITEM	QTY.	PART NAME
8	1	BASE CAP
9	1	ELBOW CAP
10	1	VACUUM CAP

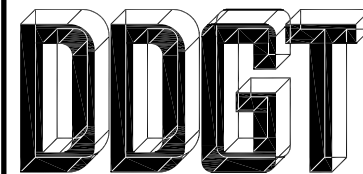


**LEGEND:**

- ° DEGREES
- ∅ DIAMETER
- R RADIUS
- ∇ DEPTH
- ⌊ COUNTERBORE

**GENERAL NOTES:**

ALL FILLETS R.06 UNLESS OTHERWISE SPECIFIED

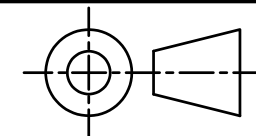


DIGITAL DESIGN  
GRAPHICS  
TECHNOLOGY

WWW.DDGT.NET



parkerlakeofficial@gmail.com  
707-337-7593  
www.ddgt.net/StudentPages/plake



TOLERANCES UNLESS SPECIFIED:  
DECIMAL INCHES:  
X = ±.020  
XX = ±.010  
XXX = ±.005  
FRACTIONAL ±1/64"  
ANGLES ±1 DEGREE  
SURFACES 32/√

COURSE: DDGT 241

AUTOCAD DRAWING NAME:

ROBOTIC ARM

FIG #: 1058

DRAFTER: P. LAKE

DATE: 1/16/2019

SCALE: 1:2

PAGE #: 4 OF 4